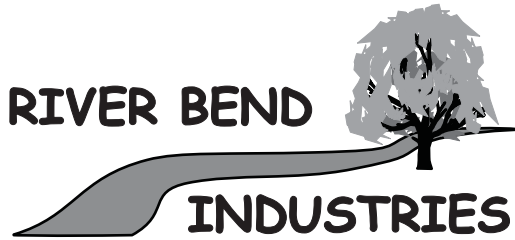




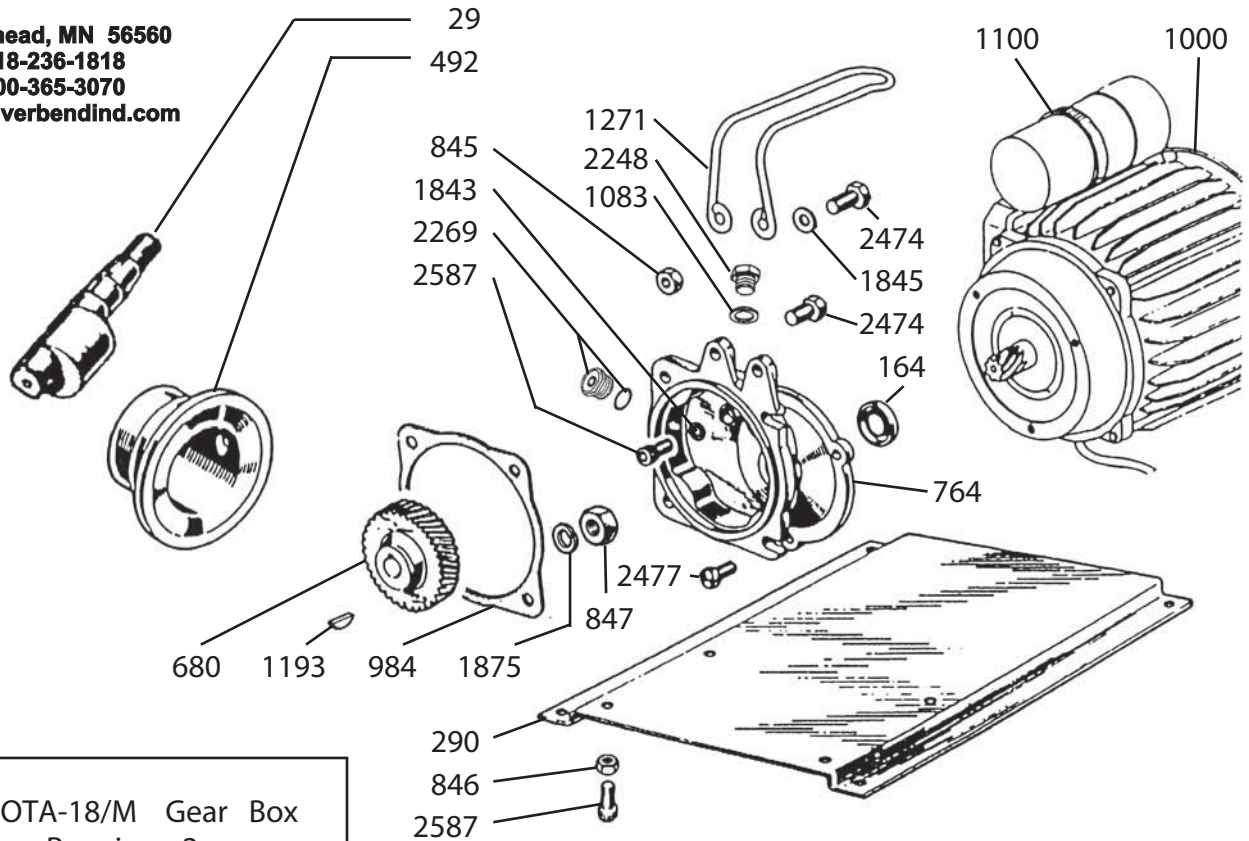
IOTA-18/M

Supplemental Parts List

Parts listed are in addition to, or replacing, standard IOTA-20 parts.



Moorhead, MN 56560
218-236-1818
800-365-3070
www.riverbendind.com



REF#	PA RT #	DESCRIPTION	QTY	REF#	PA RT #	DESCRIPTION	QTY
29	0002.E3	Crankshaft, IOTA-18/M	1	1843	1403.07	Washer	1
164	0007.22	Seal	1	1845	1403.10	Washer	4
290	0107.03	Base Plate	1	1875	1404.01	Lock Washer	1
492	0206.52	Piston Sleeve, IOTA-18/M	2	2248	1603.67	Oil Fill Plug	1
680	0213.18	Gear, IOTA-18/M	1	2269	1603.69	Oil Sight Gauge	1
764	0228.17	Gear Housing	1	2474	1804.57	Bolt	6
845	0303.01	Nut	2	2477	1804.67	Bolt	2
846	0303.02	Nut	4	2587	1805.20	Bolt	4
847	0303.10	Nut	1		12-13/HP-1	Fan	1
984	0602.25	Gasket	1		12-14/HP-1	Fan Cover	1
1000	0908.31	Electric Motor, 1 HP	1		12-15/HP-1	On/Off Switch	1
1083	0605.49	Gasket	1		12-17/HP-1	Complete Switch Box	1
1100	1238.73	Capacitor	1		12-18/HP-1	Overload Protector	1
1193	0801.03	Key	1				
1271	0902.19	Handle	1				

PROTECT PUMP FROM FREEZING.

If freezing conditions exist, flush pump with a 50/50 mixture of antifreeze and water.