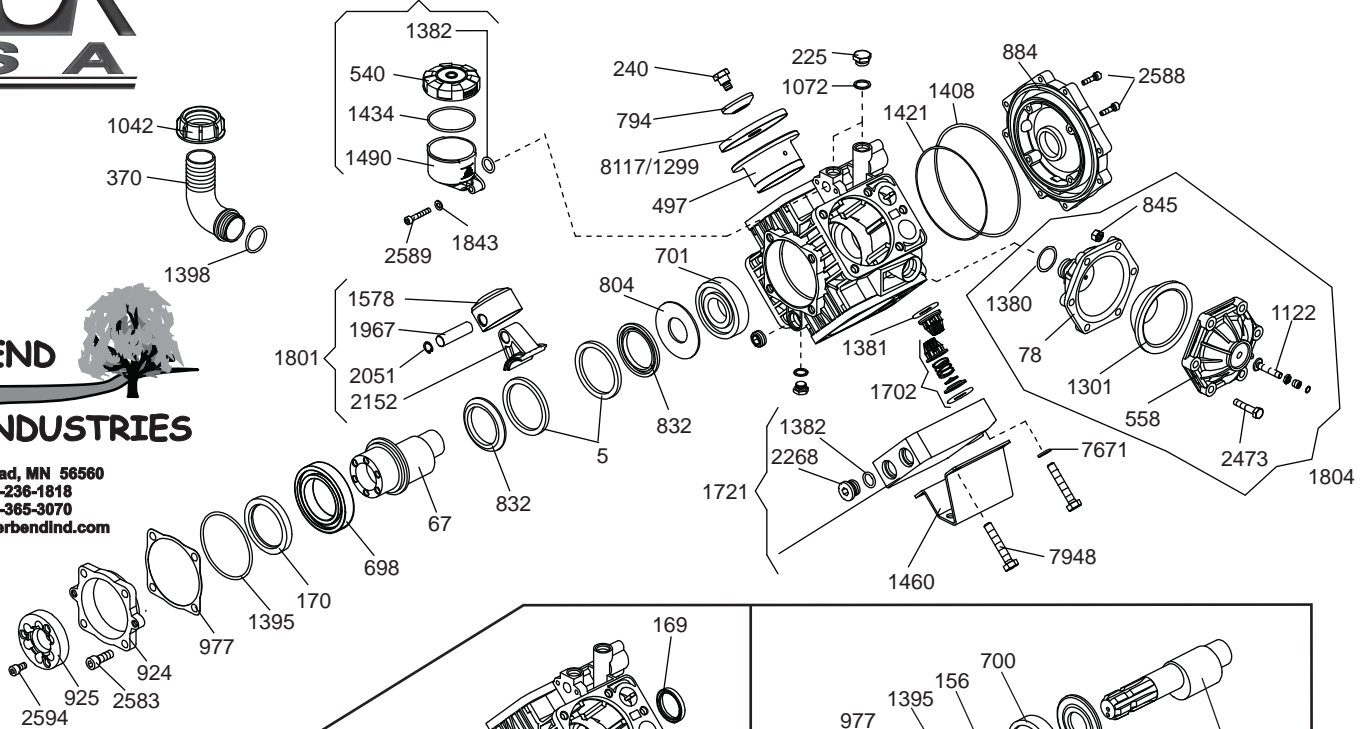




# KAPPA-100 & KAPPA-100/C

**RIVER BEND INDUSTRIES**

Moorhead, MN 56560  
218-236-1818  
800-365-3070  
www.riverbendind.com



## KAPPA-100 PUMPS

Require 40 oz.  
UDOR LUBE  
or SAE 30W  
Non-detergent Oil

\*\*For KAPPA-100/TS only

\*\*\*For KAPPA-100/C only

REF#	PART #	DESCRIPTION	QTY	REF#	PART #	DESCRIPTION	QTY
	5	Retainer Ring	2	1395	1101.48	O-Ring	1
**64	0002.53	Crankshaft (Thru-shaft)	1	1398	1101.42	O-Ring	1
***66	0002.56	Crankshaft (KAPPA-100/C)	1	1408	1101.63	O-Ring	1
67	0002.56	Crankshaft	1	1421	1101.88	O-Ring	1
78	0003.10	Pressure Accumulator Lower	1	1434	1101.D1	O-Ring	1
***156	0007.02	Shaft Seal (KAPPA-100/C) 1	1	1460	1202.37	Mounting Rail	2
**169	0007.26	Seal for Thru-Shaft Body 1	1	1490	1203.27	Oil Reservoir	1
170	0007.27	Seal 1	1	1578	1205.18	Piston	4
240	0102.04	Diaphragm Bolt	4	1702	6006.01	Valve Assembly	8
370	0202.78	Suction Elbow	1	1721	6017.06	Head Assembly	4
497	0206.24	Piston Sleeve	4	1740	6033.01	Oil Reservoir	1
540	0208.98	Oil Reservoir Cap	1	1801	6015.29	Piston/Rod Assembly	4
558	0208.21	Accumulator Head	1	1804	6031.02	Accumulator Assembly	1
632	0209.45	Pump Body	1	1843	1403.07	Washer	2
**633	0209.47	Pump Body - Thru-Shaft	1	1845	1403.10	Washer	6
698	0214.01	Ball Bearing	1	1967	1502.07	Connecting Rod Pin	4
***700	0214.04	Ball Bearing (KAPPA-100/C)	1	2051	1506.15	Snap Ring	8
701	0214.05	Ball Bearing	1	2152	1519.19	Connecting Rod	4
747	0218.01	Air Valve Cap Protector	1	2251	1603.02	Oil Plug	2
794	0301.14	Retainer Washer	4	2268	1603.32	Head Plug	9
804	0301.32	Spacer (2 Req'd for KAPPA-100/C)	1	2473	1804.54	Bolt	8
832	0302.51	Washer	2	2583	1805.05	Bolt	4
845	0303.01	Nut	8	2588	1805.21	Bolt	12
871	0304.04	Self-Locking Nut	2	2589	1805.31	Bolt	2
884	0501.87	Manifold Cover	1	2593	1805.14	Rail Mtg. Head Bolt (Allen Head, Old Style)	8
***923	0501.71	Flange (KAPPA-100/C)	1	2594	1805.24	Bolt	6
924	0501.69	Flange	1	2603	1805.12	Head Bolt (Allen Head, Old Style)	12
925	0501.70	Shaft Adapter	1	7671	1403.09	Washer - Head Bolt	12
977	0602.05	Gasket	1	7948	1804.45	Head Bolt - Hex Head	20
1042	0604.25	Suction Nut	1	*8117	0903.38	Piston Diaphragm (DESMOPAN)	4
1072	0605.09	Aluminum Gasket	2				
1122	0608.16	Air Valve Assembly	1				
1299	0903.13	Piston Diaphragm (BUNA-N) optional	4				
*1301	0903.16	Accumulator Diaphragm	1				
1380	1101.25	O-Ring	1				
*1381	1101.27	O-Ring	8				
1382	1101.29	O-Ring	10				

\*Parts included in Diaphragm Repair Kit - #8700.24  
Diaphragm Repair Kit also available in BUNA-N - #8700.23  
\*\*Parts for KAPPA-100/TS only.  
\*\*\*Parts for KAPPA-100/C only.