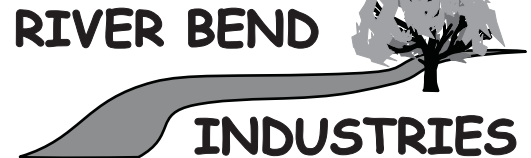
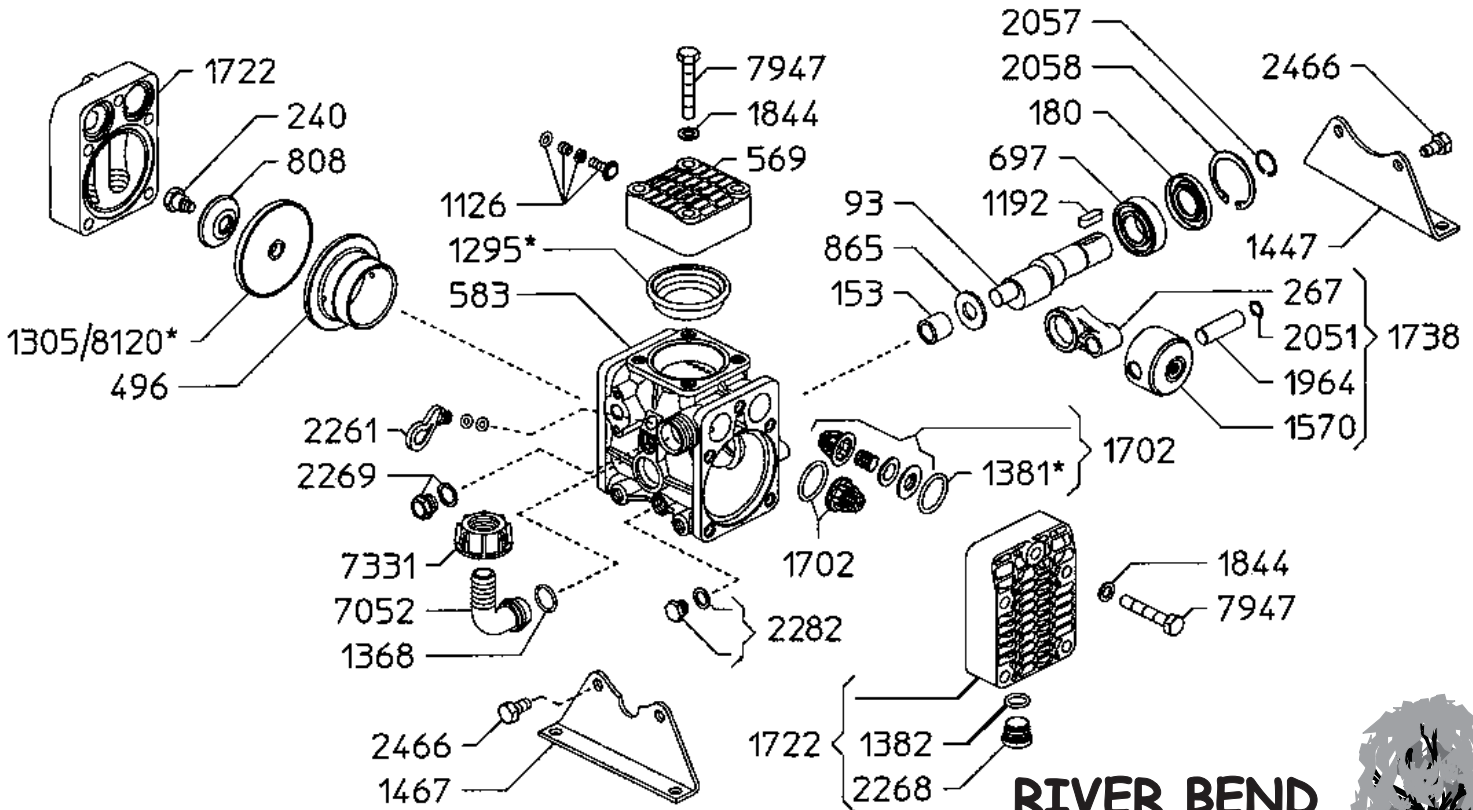




KAPPA-25

Exploded View Diagram and Parts List



Moorhead, MN 56560
 218-236-1818
 800-365-3070
www.riverbendind.com

KAPPA-25 PUMPS
 Require 12 oz.
UDOR LUBE,
 or SAE 30W
 Non-detergent Oil

REF#	PART #	DESCRIPTION	QTY	REF#	PART #	DESCRIPTION	QTY
93	0002.D3	Crankshaft	1	1467	1202.47	Pump Rail w/ Notch	1
153	0006.15	Needle Bearing	1	1570	1205.07	Piston	2
180	0007.40	Shaft Seal	1	1702	6006.01	Valve Assembly	4
240	0102.04	Diaphragm Bolt	2	1722	6017.13	Pump Head	2
267	0103.54	Connecting Rod	2	1738	6015.50	Piston/Rod Assembly	2
496	0206.46	Piston Sleeve	2	1844	1403.09	Washer	14
569	0208.46	Accumulator Head	1	1964	1502.03	Wrist Pin	2
583	0209.83	Pump Body	1	2051	1506.15	Snap Ring	2
697	0214.18	Bearing	1	2057	1506.18	Snap Ring	1
808	0301.43	Diaphragm Washer	2	2058	1506.09	Snap Ring	1
865	0301.57	Spacer	1	2261	1603.23	Oil Plug	1
1126	0608.16	Air Valve Assembly	1	2268	1603.32	Head Plug	4
1192	0801.02	Key	1	2269	1603.33	Oil Sight Gauge	1
*1295	0903.08	Accumulator Diaphragm BUNA-N	1	2282	1603.50	Oil Drain Plug	1
	0903.17	Accumulator Diaphragm Viton (Opt)	1	2466	1804.06	Rail Bolts	4
1305	0903.43	Piston Diaphragm BUNA-N Optional	2	7052	0202.75	Suction Elbow	1
1368	1101.04	O-Ring	1	7331	0604.36	Suction Nut	1
*1381	1101.27	O-Ring	4	7947	1804.21	Head Bolt	14
1382	1101.29	O-Ring	4	*8120	0903.50	DESMOPAN Diaphragm STANDARD	2
1447	1202.02	Pump Rail	1				

* Parts Included in Diaphragm Repair Kit - #8700.65.