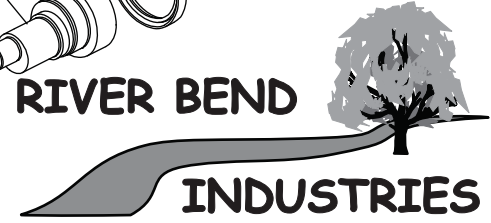
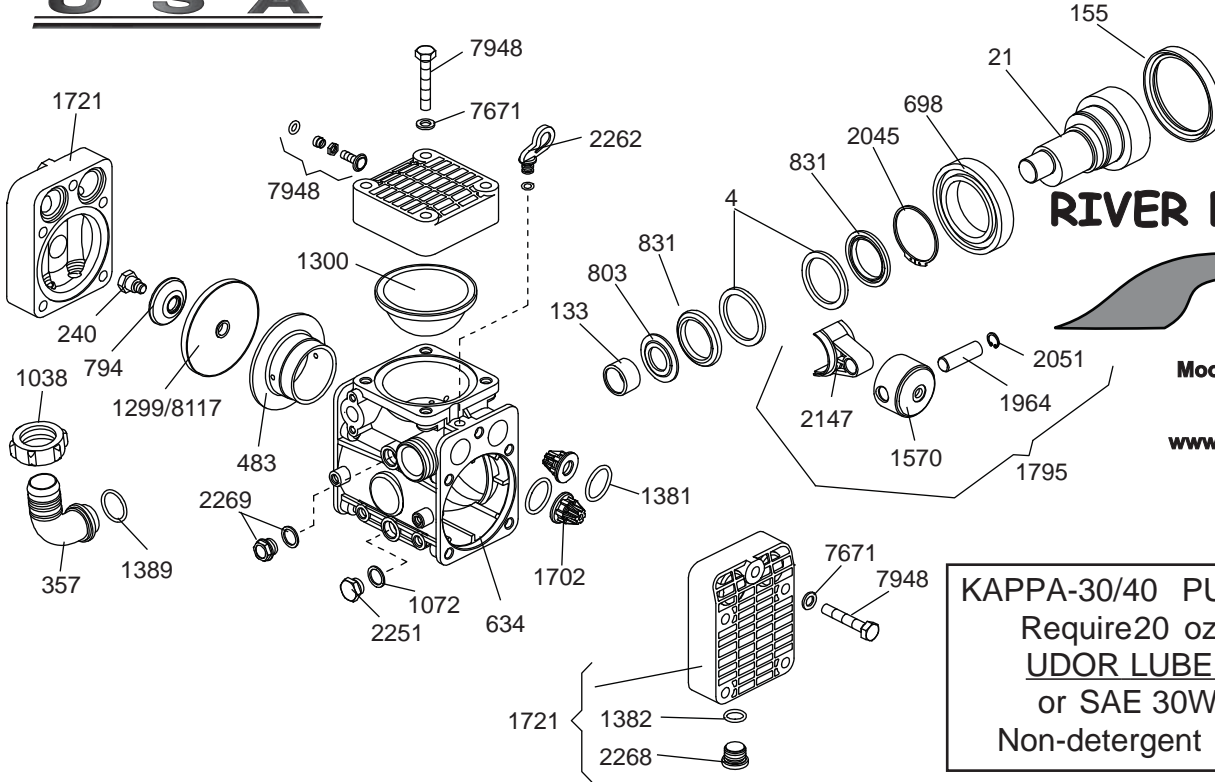




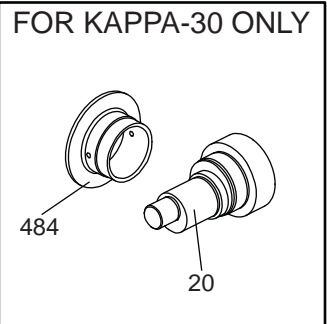
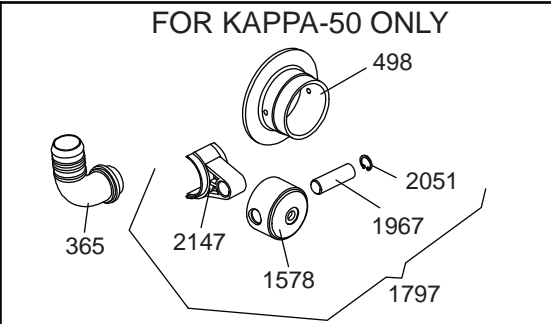
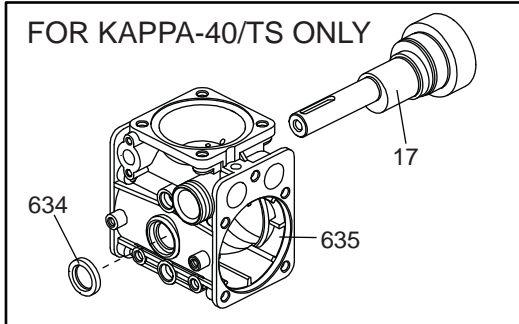
# KAPPA-30/40

## Exploded View Diagram and Parts List



Moorhead, MN 56560  
 218-236-1818  
 800-365-3070  
[www.riverbendind.com](http://www.riverbendind.com)

**KAPPA-30/40 PUMPS**  
 Require 20 oz.  
UDOR LUBE,  
 or SAE 30W  
 Non-detergent Oil



REF#	PART #	DESCRIPTION	QTY
	4	Retaining Ring 2	
***17	0002.72	KAPP A 40/50 Crankshaft (T.S.)	1
	20	KAPP A-30 Crankshaft	1
	21	KAPP A-40/50 Crankshaft	1
	133	Bearing	1
	155	Seal	1
***163	0007.19	Seal	1
	240	Diaphragm Bolt	2
	357	Inlet Hose Barb (KAPP A-30/40)	1
**365	0202.52	KAPP A-50 Inlet Hose Barb	1
	483	KAPP A-40 Piston Sleeve	2
	484	KAPP A-30 Piston Sleeve	2
**498	0206.25	KAPP A-50 Piston Sleeve	2
	567	Accumulator Head	1
	634	Pump Body (KAPP A-30/40/50)	1
***635	0209.41	Pump Body (T.S.)	1
	698	Ball Bearing	1
	794	Retainer Washer	2
	803	Washer	1
	831	Spacer	2
	1038	Suction Nut	1
	1072	Gasket	1
	1126	Air Valve Assembly	1
	1299	Piston Diaphragm (BUNA-N) optional	2
*1300	0903.14	Accumulator Diaphragm	1
	1376	O-Ring	1
*1381	1101.27	O-Ring	4

REF#	PART #	DESCRIPTION	QTY
	1382	O-Ring	4
	1389	O-Ring	1
	1570	Piston - KAPP A-30/40	2
**1578	1205.18	Piston - KAPP A-50	2
	1702	Valve Assembly	4
	1721	Head Assembly	2
	1795	Piston/Rod Assembly - KAPP A-30/40	2
**1797	6015.23	Piston/Rod Assembly - KAPP A-50	2
	1964	Connecting Rod Pin - KAPP A-30/40	2
**1967	1502.07	Connecting Rod Pin - KAPP A-50	2
	2045	Snap Ring	1
	2051	Snap Ring	4
	2147	Connecting Rod (KAPP A-30/40/50)	2
	2251	Plug	1
	2262	Oil Plug	1
	2268	Head Plug	4
	2269	Oil Sight Glass	1
	2602	Head Bolt (Allen Head - Old Style)	14
	7671	Washer (Use with Ref #7948 Only)	14
	7948	Head Bolt (Hex Head - New Style)	14
*8117	0903.38	Piston Diaphragm (DESMOP AN)	2

\*Parts included in Diaphragm Repair Kit - #8700.02  
 Diaphragm Repair Kit also available in BUNA-N - #8700.12  
 \*\*Parts for KAPP A-50 only.  
 \*\*\*Parts for KAPP A-40/TS only.