

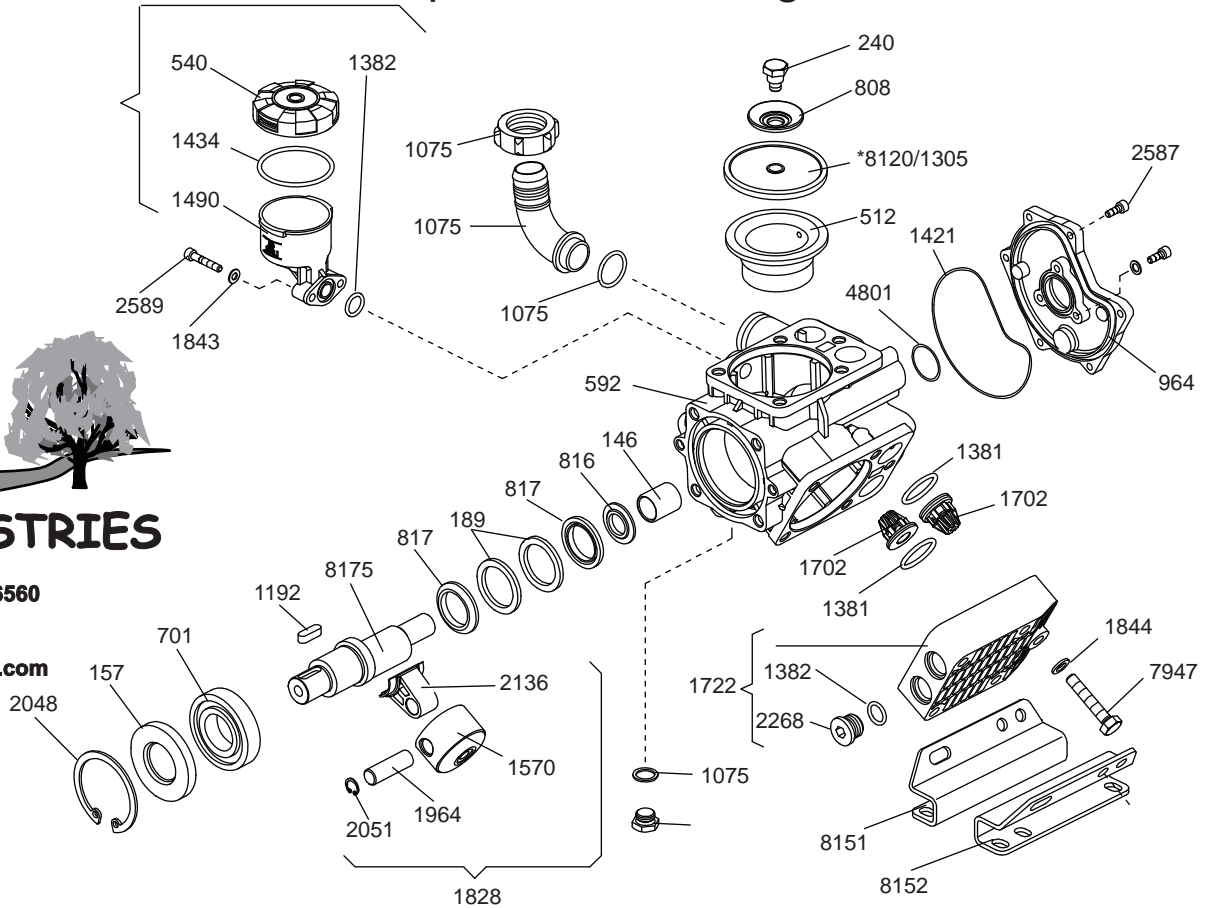


# KAPPA-33/43/53

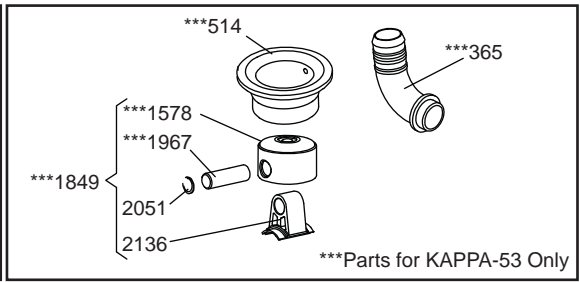
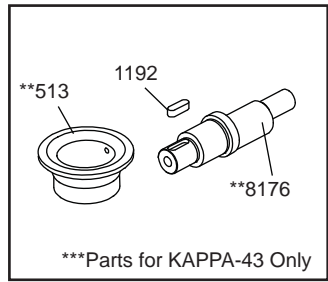
## Exploded View Diagram and Parts List

**RIVER BEND INDUSTRIES**

Moorhead, MN 56560  
218-236-1818  
800-365-3070  
www.riverbendind.com



**KAPPA-33/43/53 PUMPS**  
Require 20 oz.  
**UDOR LUBE,**  
or SAE 30W  
Non-detergent Oil



| REF#    | PART #     | DESCRIPTION                        | QTY | REF#    | PART #     | DESCRIPTION                         | QTY |
|---------|------------|------------------------------------|-----|---------|------------|-------------------------------------|-----|
| 146     | 02-0006.14 | Bearing                            | 1   | 1702    | 02-6006.01 | Valve Assembly                      | 6   |
| 157     | 02-0007.05 | Seal                               | 1   | 1722    | 02-6017.13 | Head Assembly                       | 3   |
| 189     | 02-0001.11 | Retaining Ring                     | 2   | 1740    | 02-6033.01 | Oil Reservoir Assembly              | 1   |
| 240     | 02-0102.04 | Diaphragm Bolt                     | 3   | 1828    | 02-6015.45 | Piston & Rod Assembly (KAPPA-33/43) | 3   |
| 357     | 02-0202.18 | Suction Elbow                      | 1   | 1843    | 02-1403.07 | Washer                              | 2   |
| ***365  | 02-0202.52 | Suction Elbow (KAPPA-53)           | 1   | 1844    | 02-1403.09 | Washer                              | 11  |
| 512     | 02-0206.42 | Piston Sleeve (KAPPA-33)           | 3   | ***1849 | 02-6015.46 | Piston & Rod Assembly (KAPPA-53)    | 3   |
| **513   | 02-0206.41 | Piston Sleeve (KAPPA-43)           | 3   | 1964    | 02-1502.03 | Connecting Rod Pin (KAPPA-33/43)    | 3   |
| ***514  | 02-0206.43 | Piston Sleeve (KAPPA-53)           | 3   | ***1967 | 02-1502.07 | Connecting Rod Pin (KAPPA-53)       | 3   |
| 540     | 02-0208.98 | Oil Reservoir Cap                  | 1   | 2048    | 02-1506.07 | Snap Ring                           | 1   |
| 592     | 02-0209.73 | Crankcase                          | 1   | 2051    | 02-1506.15 | Snap Ring                           | 6   |
| 701     | 02-0214.05 | Bearing                            | 1   | 2136    | 02-1519.28 | Connecting Rod (KAPPA-33/43/53)     | 3   |
| 808     | 02-0301.43 | Retaining Washer                   | 3   | 2251    | 02-1603.02 | Plug                                | 1   |
| 816     | 02-0301.54 | Spacer                             | 1   | 2268    | 02-1603.32 | Head Plug                           | 6   |
| 817     | 02-0302.66 | Spacer                             | 2   | 2587    | 02-1805.20 | Bolt                                | 6   |
| 964     | 02-0501.E2 | Body Flange                        | 1   | 2589    | 02-1805.31 | Bolt                                | 2   |
| 1038    | 02-0604.18 | Barb Nut                           | 1   | 4801    | 02-1101.C3 | O-Ring                              | 1   |
| 1075    | 02-0605.43 | Gasket                             | 1   | 7947    | 02-1804.21 | Head Bolt                           | 15  |
| 1192    | 02-0801.02 | Shaft Key                          | 1   | *8120   | 02-0903.50 | Piston Diaphragm (DESMOPAN)         | 3   |
| 1305    | 02-0903.43 | Piston Diaphragm (BUNA-N) optional | 3   | 8151    | 02-1202.63 | Mounting Rail - Right Side          | 1   |
| *1381   | 02-1101.27 | O-Ring                             | 6   | 8152    | 02-1202.64 | Mounting Rail - Left Side           | 1   |
| 1382    | 02-1101.29 | O-Ring                             | 7   | 8175    | 02-0002.B8 | Crankshaft (KAPPA-33)               | 1   |
| 1389    | 02-1101.41 | O-Ring                             | 1   | **8176  | 02-0002.B7 | Crankshaft (KAPPA-43/53)            | 1   |
| 1421    | 02-1101.88 | O-Ring                             | 1   |         |            |                                     |     |
| 1434    | 02-1101.D1 | O-Ring                             | 1   |         |            |                                     |     |
| 1490    | 02-1203.27 | Oil Reservoir                      | 1   |         |            |                                     |     |
| 1570    | 02-1205.07 | Piston (KAPPA-33/43)               | 3   |         |            |                                     |     |
| ***1578 | 02-1205.18 | Piston (KAPPA-53)                  | 3   |         |            |                                     |     |

\*Parts included in Diaphragm Repair Kit - #8700.45  
Diaphragm Repair Kit also available in BUNA-N - #8700.46  
\*\*Parts for KAPPA-43 only.  
\*\*\*Parts for KAPPA-53 only.