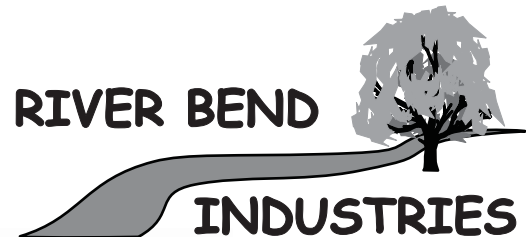


KAPPA-75



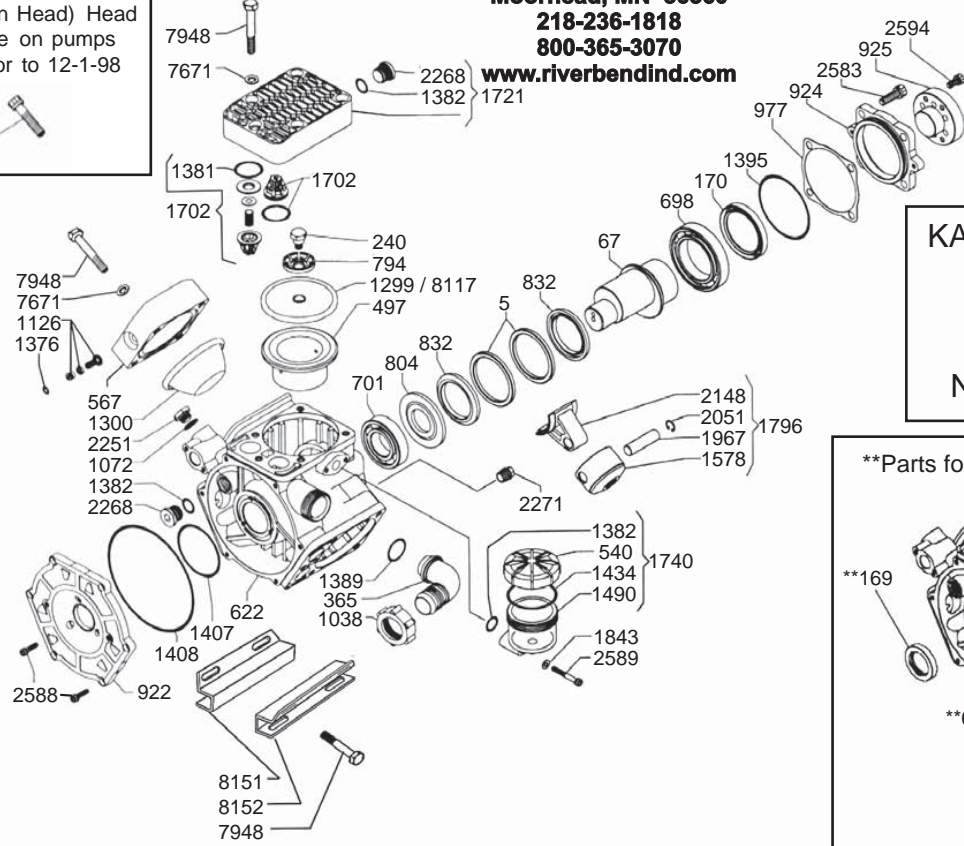
Moorhead, MN 56560

218-236-1818

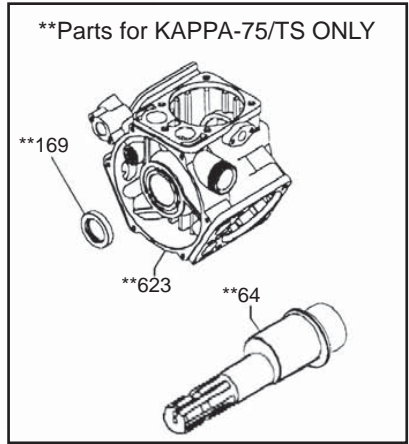
800-365-3070

www.riverbendind.com

Old Style (Allen Head) Head Bolt. For use on pumps purchased prior to 12-1-98



KAPPA-75 PUMPS
Require 30 oz.
UDOR LUBE,
or SAE 30W
Non-Detergent Oil



| REF# | PART # | DESCRIPTION | QTY | REF# | PART # | DESCRIPTION | QTY |
|-------|---------|------------------------------------|-----|-------|---------|------------------------------------|-----|
| 5 | 0001.07 | Retainer Ring | 2 | 1382 | 1101.29 | O-Ring | 8 |
| 64** | 0002.53 | Crankshaft (Thrushaft) | 1 | 1389 | 1101.41 | O-Ring | 1 |
| 67 | 0002.56 | Crankshaft | 1 | 1395 | 1101.48 | O-Ring | 1 |
| 169** | 0007.26 | Seal (Thrushaft) | 1 | 1407 | 1101.62 | O-Ring | 1 |
| 170 | 0007.27 | Seal | 1 | 1408 | 1101.63 | O-Ring | 1 |
| 240 | 0102.04 | Diaphragm Bolt | 3 | 1434 | 1101.D1 | O-Ring | 1 |
| 365 | 0202.52 | Suction Elbow | 1 | 1490 | 1203.27 | Oil Reservoir | 1 |
| 497 | 0206.24 | Piston Sleeve | 3 | 1578 | 1205.18 | Piston | 3 |
| 540 | 0208.98 | Oil Reservoir Cap | 1 | 1702 | 6006.01 | Valve Assembly | 6 |
| 567 | 0208.34 | Accumulator Head | 1 | 1721 | 6017.06 | Head Assembly | 3 |
| 622 | 0209.29 | Pump Body (Standar d) | 1 | 1740 | 6033.01 | Oil Reservoir | 1 |
| 623** | 0209.30 | Pump Body (Thrushaft) | 1 | 1796 | 6015.22 | Piston/Rod Assembly | 3 |
| 698 | 0214.01 | Ball Bearing | 1 | 1843 | 1403.07 | Washer | 2 |
| 701 | 0214.05 | Ball Bearing | 1 | 1967 | 1502.07 | Connecting Rod Pin | 3 |
| 794 | 0301.14 | Retainer Washer | 3 | 2051 | 1506.15 | Snap Ring | 6 |
| 804 | 0301.32 | Washer | 2 | 2148 | 1519.15 | Connecting Rod | 3 |
| 832 | 0302.51 | Washer | 2 | 2251 | 1603.02 | Oil Plug | 1 |
| 922 | 0501.68 | Manifold Cover | 1 | 2268 | 1603.32 | Head Plug | 7 |
| 924 | 0501.69 | Flange | 1 | 2271 | 1603.03 | Drain Plug | 1 |
| 925 | 0501.70 | Flange | 1 | 2580 | 1805.01 | Bolt | 4 |
| 977 | 0602.05 | Gasket | 1 | 2588 | 1805.21 | Bolt | 9 |
| 1038 | 0604.18 | Suction Nut | 1 | 2594 | 1805.06 | Bolt | 6 |
| 1072 | 0605.09 | Aluminum Gasket | 1 | 2589 | 1805.31 | Bolt | 2 |
| 1126 | 0608.16 | Air Valve Assembly | 1 | 2602 | 1805.25 | Head Bolt (Allen Head - Old Style) | 19 |
| 1299 | 0903.13 | Piston Diaphragm (Buna-N) Optional | 3 | 7671 | 1403.09 | Washer (Use with Ref #7948 Only) | 15 |
| 1300* | 0903.14 | Accumulator Diaphragm | 1 | 7948 | 1804.45 | Head Bolt (Hex Head - New Style) | 19 |
| 1376 | 1101.16 | O-Ring | 1 | 8117* | 0903.38 | DESMOPAN Piston Diaphragm | 3 |
| 1381* | 1101.27 | O-Ring | 6 | 8151 | 1202.63 | Mounting Rail - Right Side | 1 |
| | | | | 8152 | 1202.64 | Mounting Rail - Left Side | 1 |

Desmopan Diaphragm Repair Kit - #8700.10

Buna-N Diaphragm Repair Kit - #8700.15

** Parts for KAPP A-75/TS Only.