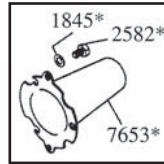




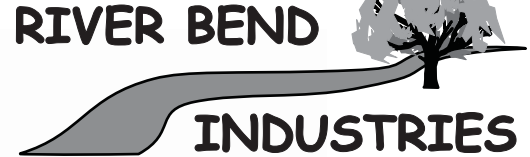
RO-320/CC

Exploded View Diagram and Parts List

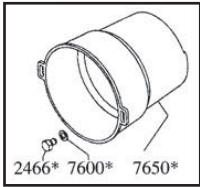
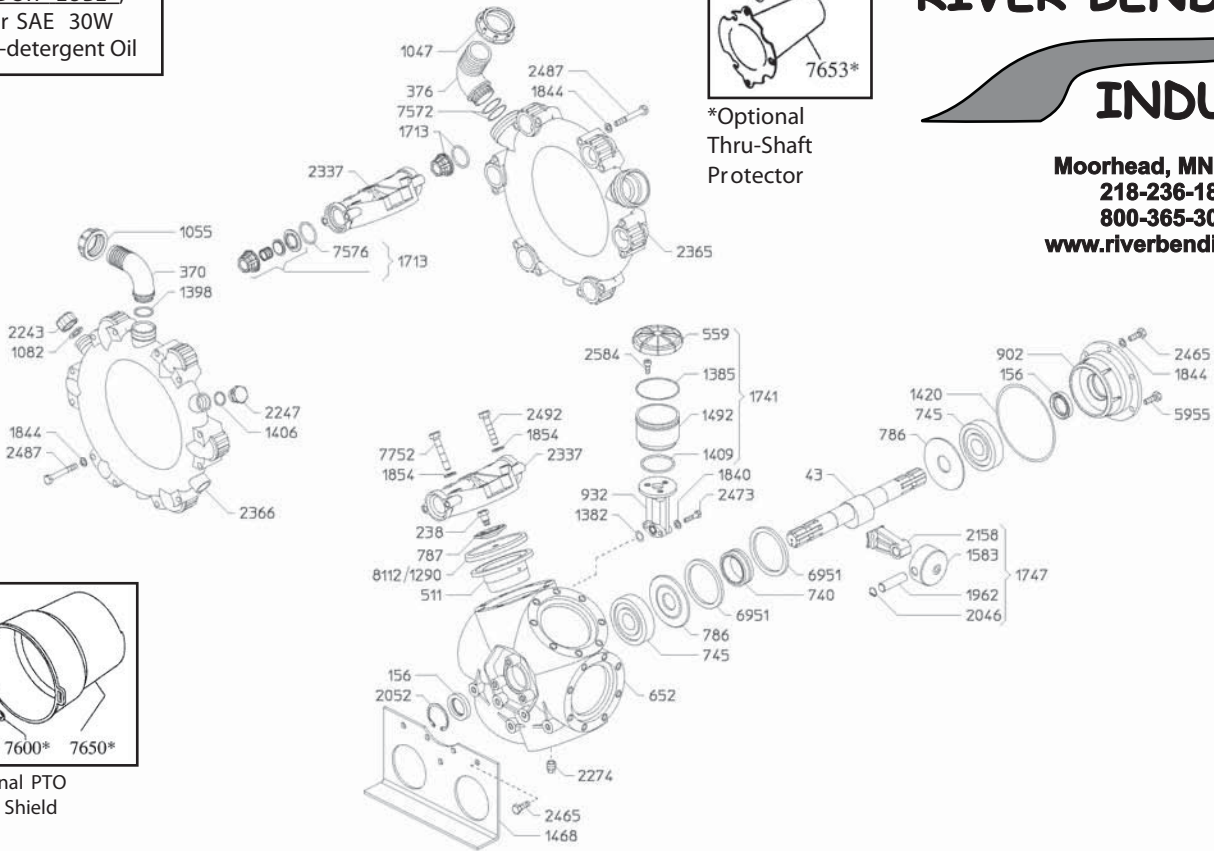
RO-320/CC PUMP
Requires 160 oz.
UDOR LUBE
or SAE 30W
Non-detergent Oil



*Optional
Thru-Shaft
Protector



Moorhead, MN 56560
218-236-1818
800-365-3070
www.riverbendind.com



*Optional PTO
Safety Shield

REF#	PA RT #	DESCRIPTION	QTY	REF#	PA RT #	DESCRIPTION	QTY
43	02-0002.29	Crankshaft	1	1747	02-6015.39	Piston / Rod Assembly	6
156	02-0007.02	Seal	2	1844	02-1403.09	Washer	33
238	02-0102.03	Diaphragm Bolt	6	1845	02-1402.10	Washer	5
370	02-0202.78	1-1/2" Hose Barb	1	1854	02-1403.08	Washer	48
376	02-0202.79	Suction Barb	2	1962	02-1502.01	Wrist Pin	6
511	0206.40	Piston Sleeve	6	2046	02-1506.02	Snap Ring	12
559	02-0208.22	Oil Cap	1	2052	02-1506.16	Snap Ring	1
652	02-0209.65	Pump Body	1	2158	02-1519.25	Connecting Rod	6
740	02-0216.09	Bearing	2	2243	02-1603.A4	Cap	1
745	02-0214.11	Bearing	2	2247	02-1603.74	Plug	1
786	02-0301.02	Spacer	2	2274	02-1603.44	Oil Plug	1
787	02-0301.03	Diaphragm Washer	6	2337	02-1604.76	Head	6
902	02-0501.46	Flange	1	2365	02-1601.24	Inlet Manifold	1
932	02-0501.B1	Oil reservoir Extension	1	2366	02-1605.27	Outlet Manifold	1
1047	02-0604.39	Suction Nut	2	2465	02-1804.03	Bolt	9
1055	02-0604.50	Nut	1	2473	02-1804.54	Bolt	2
1082	02-0602.56	Washer	1	2487	02-1804.25	Manifold Bolt	24
1290	02-0903.01	Piston Diaphragm (BUNA) (optional)	6	2492	02-1804.87	Head Bolt	24
1382	02-1101.29	O-Ring	1	*2582	02-1805.04	Bolt (optional)	6
1385	02-1101.32	O-Ring	1	2584	02-1805.06	Bolt	3
1398	02-1101.42	O-Ring	1	5955	02-1804.23	Bolt	2
1406	02-1101.17	O-Ring	1	6951	02-0001.10	Retainer Ring	2
1409	02-1101.68	O-Ring	1	7572	02-1101.93	O-Ring	4
1420	02-1101.71	O-Ring	1	**7576	02-1101.C1	O-Ring	12
1468	02-1202.52	Mounting Rail	2	*7650	02-1219.02	PTO Safety Shield (optional)	1
1492	02-1203.30	Oil Reservoir	1	*7653	02-1219.15	Thru-Shaft Protector (optional)	1
1582	02-1205.41	Piston	6	7752	02-1804.16	Head Bolt	24
1713	02-6006.19	Valve Assembly	12	**8112	02-0903.33	Piston Diaphragm (DESMOP AN)	6
1741	02-6033.02	Oil Reservoir Assembly	1				

* Parts Included in Diaphragm Repair Kit - #02-8700.70.