



SIGMA-101

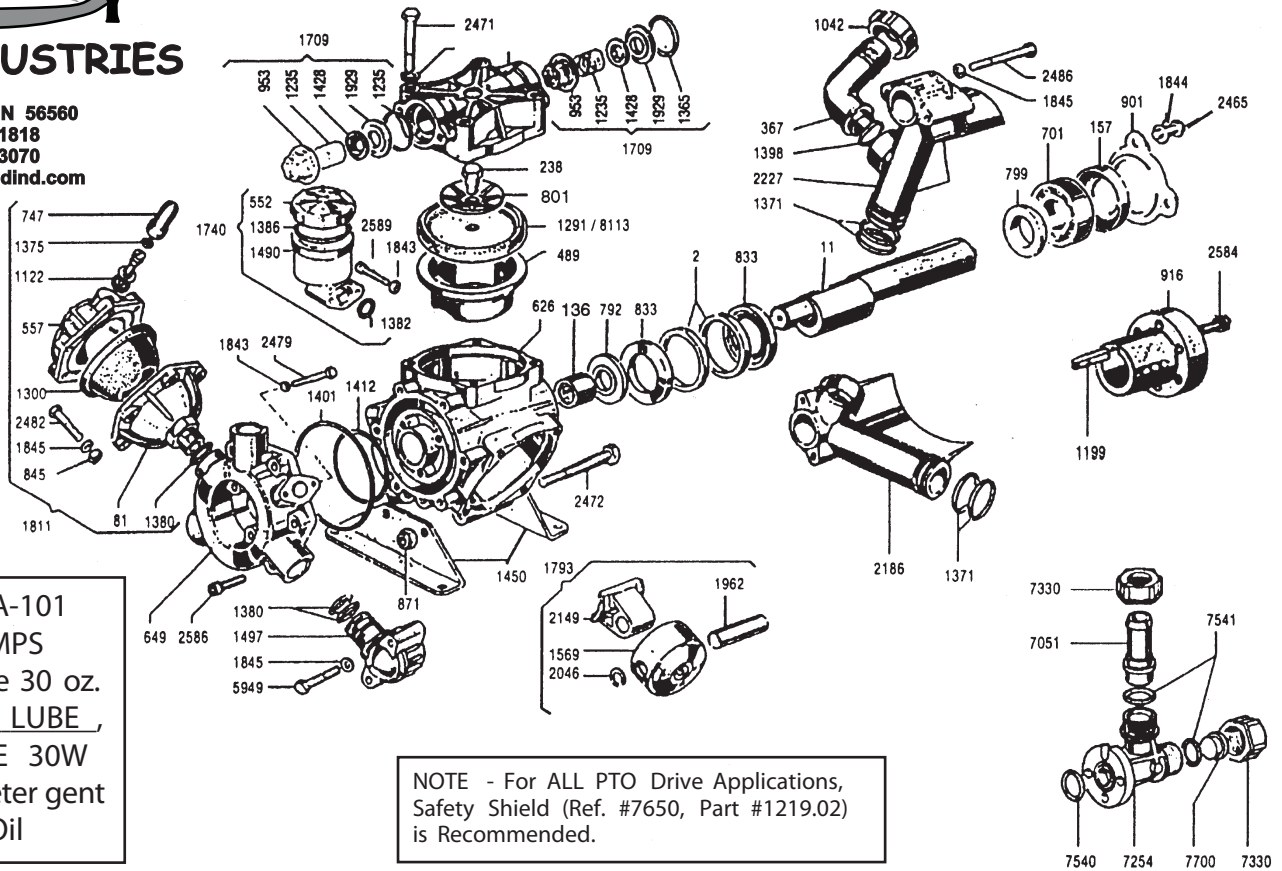
Exploded View Diagram and Parts List

RIVER BEND



INDUSTRIES

Moorhead, MN 56560
218-236-1818
800-365-3070
www.riverbendind.com



**SIGMA-101
PUMPS**
Require 30 oz.
UDOR LUBE
or SAE 30W
Non-detergent
Oil

NOTE - For ALL PTO Drive Applications,
Safety Shield (Ref. #7650, Part #1219.02)
is Recommended.

REF#	PART#	DESCRIPTION	QTY.	REF#	PART#	DESCRIPTION	QTY.
2	0001.02	RETAINER RING	2	1428	1201.03	VALVE POPPET	6
11	0002.60	CRANK SHAFT	1	1450	1202.11	BASE PLATE	2
81	0003.15	ACCUMULATOR	1	1490	1203.27	OIL RESERVOIR	1
136	0006.07	BEARING	1	1497	1203.36	MANIFOLD ELBOW	3
157	0007.05	SEAL	1	1569	1205.06	PISTON	3
238	0102.03	DIAPHRAGM BOLT	3	1709	6006.08	VALVE ASSEMBLY	6
367	0202.48	SUCTION ELBOW	1	1740	6033.01	OIL RESERVOIR ASSEMBLY	1
489	0206.14	PISTON SLEEVE	3	1798	6015.24	PISTON ROD ASSEMBLY	3
552	0208.07	OIL CAP	1	1811	6031.09	ACCUMULATOR ASSEMBLY	1
557	0208.20	ACCUMULATOR HEAD	1	1843	1403.07	WASHER	4
626	0209.34	CRANK CASE	1	1844	1403.09	WASHER	15
649	0257.02	DISCHARGE MANIFOLD	1	1845	1403.10	WASHER	18
701	0214.05	BEARING	1	1929	1501.17	VALVE SEAT	6
747	0218.01	AIR VALVE CAP	1	1962	1502.01	CONNECTING ROD PIN	3
792	0301.12	WASHER	1	2046	1506.02	SNAP RING	6
799	0301.24	WASHER	1	2149	1519.16	CONNECTING ROD	3
801	0301.07	RETAINER WASHER	3	2186	1601.14	SUCTION MANIFOLD	2
833	0302.52	ROD SPACER	2	2227	1602.23	SUCTION MANIFOLD	1
845	0303.01	NUT	6	2317	1604.35	HEAD	3
871	0304.04	LOCK NUT	2	2466	1804.06	BOLT	3
901	0501.45	FLANGE	1	2471	1804.29	BOLT	12
916	0501.62	FLANGE	1	2472	1804.31	BOLT	2
953	0601.10	VALVE CAGE	6	2479	1804.74	BOLT	2
1042	0604.25	BARB NUT	1	2482	1804.09	BOLT	6
1122	0608.15	AIR VALVE ASSEMBLY	1	2486	1804.79	BOLT	6
1199	0801.11	KEY	1	2584	1805.06	BOLT	3
1235	0901.35	VALVE SPRING	6	2586	1805.13	BOLT	9
1291	0903.02	OPT. BUNA DIAPHRAGM	3	2589	1805.26	BOLT	2
1300	0903.14	ACCUMULATOR DIAPHRAGM	1	5949	1804.72	BOLT	6
1365	1101.01	O-RING	6	7051	0202.69	HOSE BARB	1
1371	1101.07	O-RING	6	7254	0501.57	FLANGE	1
1376	1101.16	O-RING	1	7330	0604.29	BARB NUT	2
1380	1101.25	O-RING	6	7540	1101.04	O-RING	1
1382	1101.29	O-RING	1	7541	1101.12	O-RING	2
1386	1101.33	O-RING	1	7700	1603.22	PLUG	1
1398	1101.42	O-RING	1	*8113	0903.34	DESMOPAN DIAPHRAGM	3
1401	1101.58	O-RING	1				
1412	1101.79	O-RING	1				

*PARTS INCLUDED IN DIAPHRAGM REPAIR KIT PART #8700.04.
DIAPHRAGM REPAIR KIT AVAILABLE IN BUNA-N PART #8700.11