

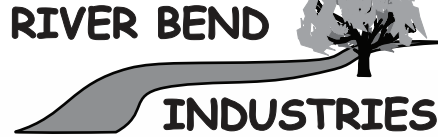


7.901.103 (Turbine) & 13.901.151 (Long Range)

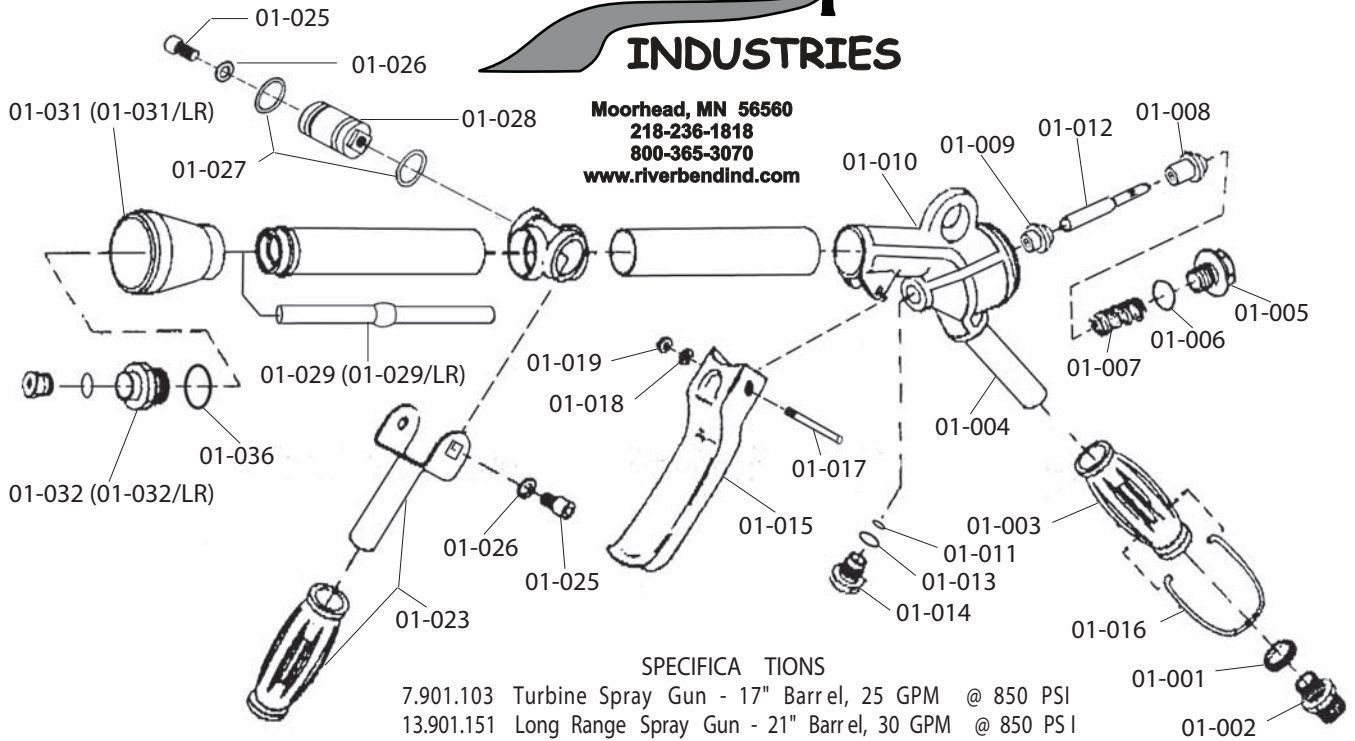
High Performance Adjustable Spray Gun

UDOR High Performance Spray Guns have a spray pattern that is adjustable from a concentrated 0° straight stream to a 60° fine mist cone.

They are an excellent choice for a wide variety of applications including tree & shrub spraying, pest control, fire fighting, aircraft de-icing and equipment cleaning.



Moorhead, MN 56560
218-236-1818
800-365-3070
www.riverbendind.com



SPECIFICATIONS

7.901.103 Turbine Spray Gun - 17" Barrel, 25 GPM @ 850 PSI
13.901.151 Long Range Spray Gun - 21" Barrel, 30 GPM @ 850 PSI

| PART # | DESCRIPTION | QTY | PART # | DESCRIPTION | QTY |
|----------|---------------|-----|-----------|-------------------------------|-----|
| 01-001 | Washer | 1 | 01-017 | Trigger Pin | 1 |
| 01-002 | Inlet Adapter | 1 | 01-018 | Washer | 1 |
| 01-003 | Handle | 1 | 01-019 | Nut | 1 |
| 01-004 | Inlet Tube | 1 | 01-023 | Front Grip Assembly | 1 |
| 01-005 | Plug | 1 | 01-025 | Bolt | 2 |
| * 01-006 | O-Ring | 1 | 01-026 | Washer | 2 |
| 01-007 | Spring | 1 | * 01-027 | O-Ring | 2 |
| * 01-008 | Poppet | 1 | 01-028 | Regulator | 1 |
| * 01-009 | Seat | 1 | 01-029 | Inner Tube | 1 |
| 01-010 | Body | 1 | 01-029/LR | Inner Tube - Long Range | 1 |
| * 01-011 | O-Ring | 1 | 01-031 | Nozzle Protector | 1 |
| 01-012 | Plunger | 1 | 01-031/LR | Nozzle Protector - Long Range | 1 |
| * 01-013 | O-Ring | 1 | 01-032 | Nozzle Retainer | 1 |
| 01-014 | Guide | 1 | 01-032/LR | Nozzle Retainer - Long Range | 1 |
| 01-015 | Trigger | 1 | * 01-036 | O-Ring | 1 |
| 01-016 | Trigger Clip | 1 | | | |

* Parts Included in Repair Kit # Kit 10/11.

SPRAY TIP PERFORMANCE CHART (High Performance Spray Guns) - Gallons Per Minute/Maximum Throw in Feet

| PART # | Orifice (mm) | Material | 100 PSI | 200 PSI | 400 PSI | 600 PSI | 800 PSI |
|------------|--------------|----------|----------|-----------|-----------|-----------|-----------|
| 68.1802.54 | 2.3 | Ceramic | 2.0 / 24 | 2.5 / 29 | 4.0 / 34 | 5.0 / 42 | 5.5 / 45 |
| 68.1802.16 | 2.5 | Ceramic | 2.5 / 23 | 3.0 / 28 | 4.5 / 32 | 5.5 / 40 | 6.5 / 44 |
| 68.1802.17 | 3.0 | Ceramic | 3.0 / 28 | 4.5 / 29 | 6.5 / 34 | 8.0 / 41 | 9.0 / 4 |
| 13.1802.73 | 3.5 | S/S | 4.5 / 31 | 6.0 / 36 | 8.5 / 41 | 11.0 / 50 | 12.0 / 54 |
| 13.1802.58 | 4.0 | S/S | 5.0 / 35 | 7.5 / 38 | 10.0 / 43 | 13.5 / 53 | 14.5 / 59 |
| 13.1802.59 | 4.5 | S/S | 6.5 / 37 | 9.0 / 39 | 12.5 / 44 | 16.5 / 54 | 18.0 / 62 |
| 13.1802.60 | 5.0 | S/S | 7.5 / 33 | 10.0 / 41 | 14.0 / 47 | 18.5 / 59 | 21.0 / 67 |
| 13.1802.61 | 5.5 | S/S | 8.0 / 35 | 11.5 / 42 | 16.0 / 47 | 21.0 / 59 | 23.0 / 70 |
| 13.1802.75 | 6.0 | S/S | 9.0 / 38 | 12.5 / 44 | 18.0 / 54 | 23.0 / 66 | 26.0 / 74 |
| 13.1802.74 | 7.0 | S/S | 9.5 / 21 | 13.5 / 47 | 19.0 / 57 | 24.0 / 70 | 27.0 / 77 |