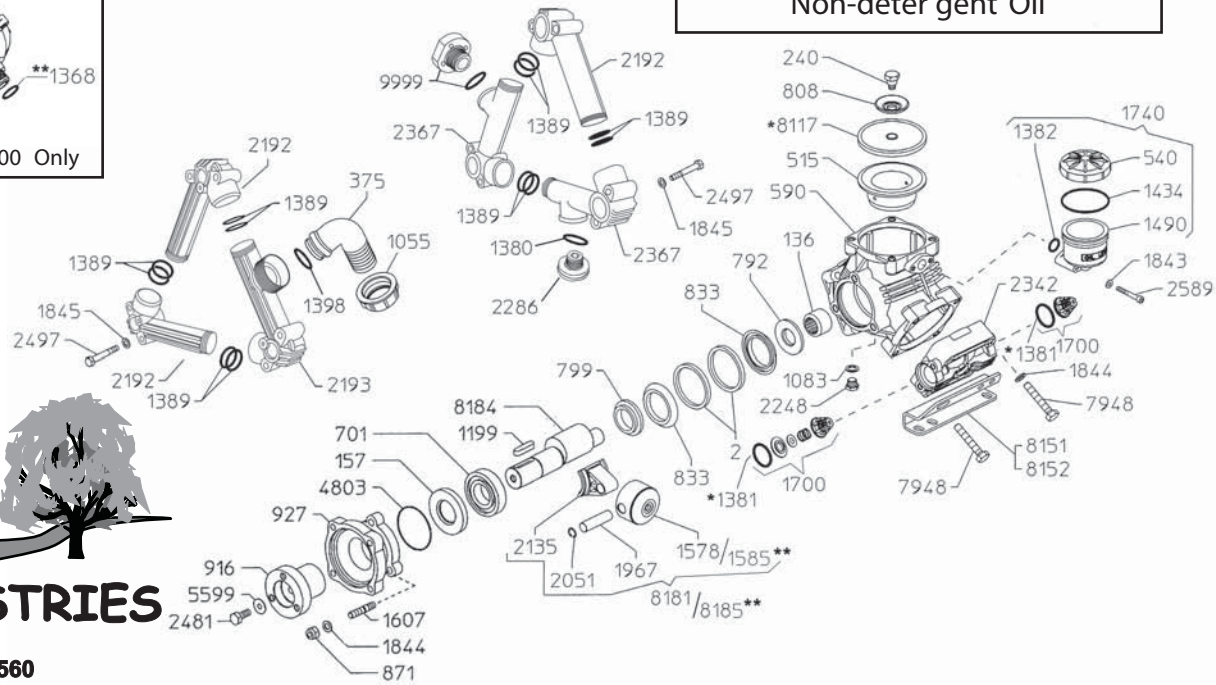
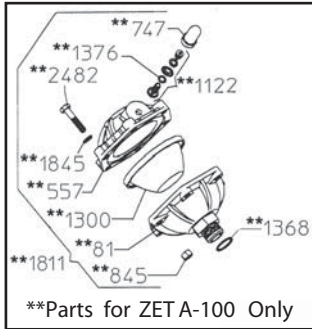




# ZET A-85 & ZET A-100

## Exploded View Diagram and Parts List

ZET A-85 & ZET A-100 PUMPS  
 Require 32 oz.  
UDOR LUBE  
 or SAE 30W  
 Non-detergent Oil



**RIVER BEND**



**INDUSTRIES**

Moorhead, MN 56560  
 218-236-1818  
 800-365-3070

[www.riverbendind.com](http://www.riverbendind.com)

REF#	PA RT #	DESCRIPTION	QTY	REF#	PA RT #	DESCRIPTION	QTY
2	02-0001.01	Retainer Ring	2	1490	02-1203.27	Oil Reservoir	1
**81	02-0003.15	Accumulator Bottom (ZETA-100)	1	1578	02-1205.18	Piston (ZETA-85)	3
136	02-0006.07	Bearing	1	**1585	02-1205.43	Piston (ZETA-100)	3
157	02-0007.05	Seal	1	1607	02-1206.22	Stud	3
240	02-0102.04	Diaphragm Bolt	3	1700	02-6006.36	Valve Assembly	6
375	02-0202.78	Suction Elbow	1	1740	02-6033.01	Oil Reservoir Assembly	1
515	02-0206.44	Piston Sleeve (ZETA-85)	3	**1811	02-6031.09	Accumulator Assembly (ZETA-100)	1
**516	02-0206.45	Piston Sleeve (ZETA-100)	3	1843	02-1403.07	Washer	2
540	02-0208.98	Oil Cap	1	1844	02-1403.09	Washer	12
**557	02-0208.20	Accumulator Cover (ZETA-100)	1	1845	02-1403.10	Washer	18
590	02-0209.76	Crankcase	1	1967	02-1502.07	Connecting Rod Pin	3
701	02-0214.05	Bearing	1	2051	02-1506.15	Snap Ring	6
**747	02-0218.01	Air Valve Cap (ZETA-100)	1	2135	02-1519.30	Connecting Rod	3
792	02-0301.12	Spacer	1	2192	02-1601.25	Manifold Tube	3
799	02-0301.24	Washer	1	2193	02-1601.26	Intake Manifold Tube	1
808	02-0301.43	Diaphragm Washer	3	2248	02-1603.67	Oil Plug	1
833	02-0302.52	Rod Spacer	2	2286	02-1603.87	Discharge Plug	1
**845	02-0303.01	Nut	6	2342	02-1604.94	Head	3
871	02-0304.04	Nut	3	2367	02-1605.28	Discharge Manifold Tube	2
916	02-0501.62	Crank Adapter	1	2481	02-1804.07	Bolt	1
927	02-0501.79	Adapter Flange	1	**2482	02-1804.09	Bolt	6
1055	02-0604.50	Barb Nut	1	2497	02-1804.10	Bolt	12
1083	02-0605.49	Plug Gasket	1	2589	02-1805.31	Bolt	2
**1122	02-0608.15	Air Valve Assembly	1	4803	02-1101.43	O-Ring	1
1199	02-0801.11	Key	1	5599	02-1403.02	Washer	1
**1300	02-0903.14	Accumulator Diaphragm (ZETA-100)	1	7948	02-1804.45	Bolt	12
1368	02-1101.04	O-Ring	1	*8117	02-0903.38	Piston Diaphragm (DESMOP AN)	3
**1376	02-1101.16	O-Ring	1	8151	02-1202.63	Mounting Rail - Right Side	1
1380	02-1101.25	O-Ring	1	8152	02-1202.64	Mounting Rail - Left Side	1
*1381	02-1101.27	O-Ring	6	8181	02-6015.49	Piston & Rod Assembly (ZETA-85)	3
1382	02-1101.29	O-Ring	1	8184	02-0002.C5	Crankshaft	1
1389	02-1101.41	O-Ring	12	**8185	02-6015.49	Piston & Rod Assembly (ZETA-100)	3
1398	02-1101.42	O-Ring	1	9999	02-0508.10	Regulator Adapter	1
1434	02-1101.D1	O-Ring	1				

\* Parts Included in Diaphragm Repair Kit - #02-8700.60.

\*\* Parts for ZETA-100 Only.